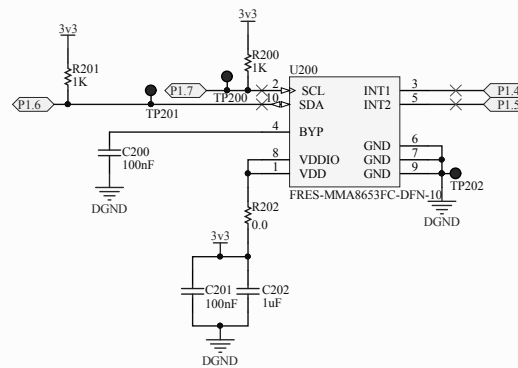


YELLOW FILL = FREE  
BLUE FILL = USED

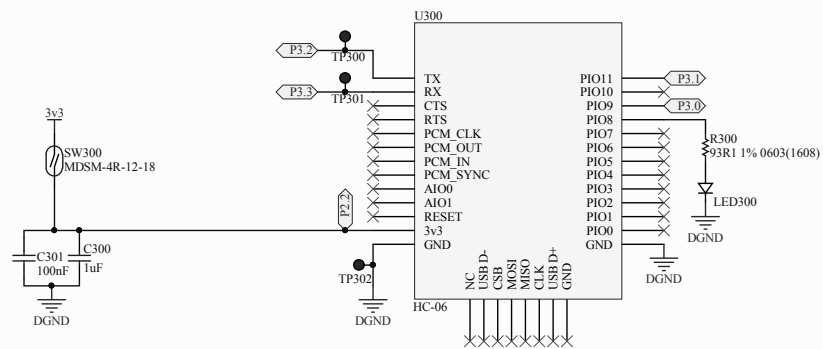


Project Title: <b>Budget Oceanic Autonomous Tracker</b>			
Sheet Title: <b>MCU</b>			
Engineer: <b>Joseph Canfield and Mitchell Overdick</b>			
Draftsman: <b>Joseph Canfield and Mitchell Overdick</b>			
Date: <b>4/21/2017</b>	Size: <b>B</b>	Revision: <b>B</b>	Sheet: <b>1</b> of <b>7</b>



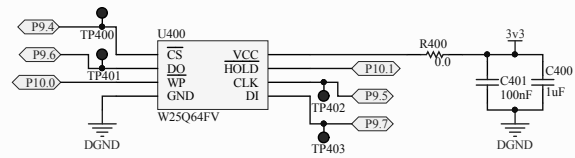


Project Title: <b>Budget Oceanic Autonomous Tracker</b>			
Sheet Title: <b>Accelerometer</b>			
Engineer: <b>Joseph Canfield and Mitchell Overdick</b>			
Draftsman: <b>Joseph Canfield and Mitchell Overdick</b>			
Date: <b>4/21/2017</b>	Size: <b>B</b>	Revision: <b>B</b>	Sheet: <b>2</b> of <b>7</b>



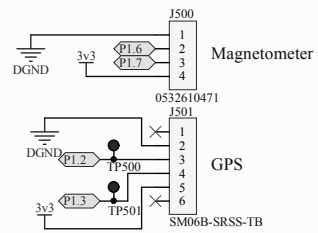
Project Title: <b>Budget Oceanic Autonomous Tracker</b>			
Sheet Title: <b>Bluetooth Module</b>			
Engineer: <b>Joseph Canfield and Mitchell Overdick</b>			
Draftsman: <b>Joseph Canfield and Mitchell Overdick</b>			
Date: <b>4/21/2017</b>	Size: <b>B</b>	Revision: <b>B</b>	Sheet: <b>3</b> of <b>7</b>





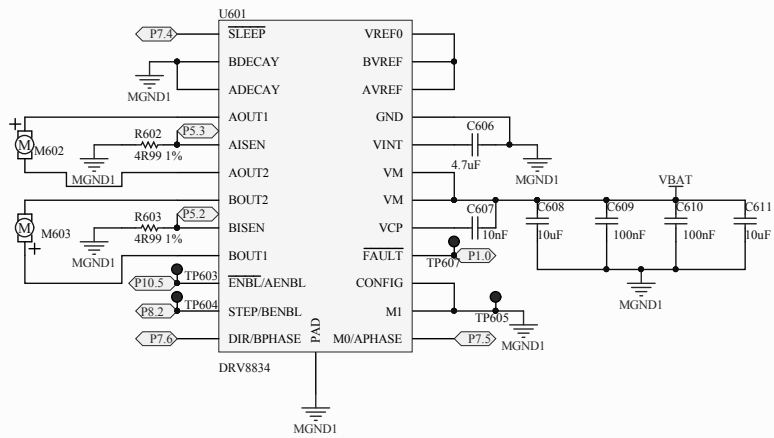
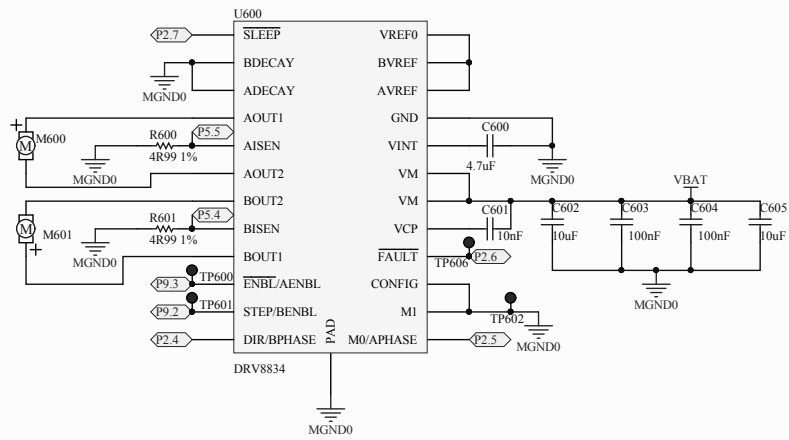
Project Title: <b>Budget Oceanic Autonomous Tracker</b>			
Sheet Title: <b>Flash Memory</b>			
Engineer: <b>Joseph Canfield and Mitchell Overdick</b>			
Draftsman: <b>Joseph Canfield and Mitchell Overdick</b>			
Date: <b>4/21/2017</b>	Size: <b>B</b>	Revision: <b>B</b>	Sheet: <b>4</b> of <b>7</b>





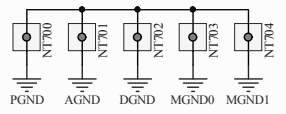
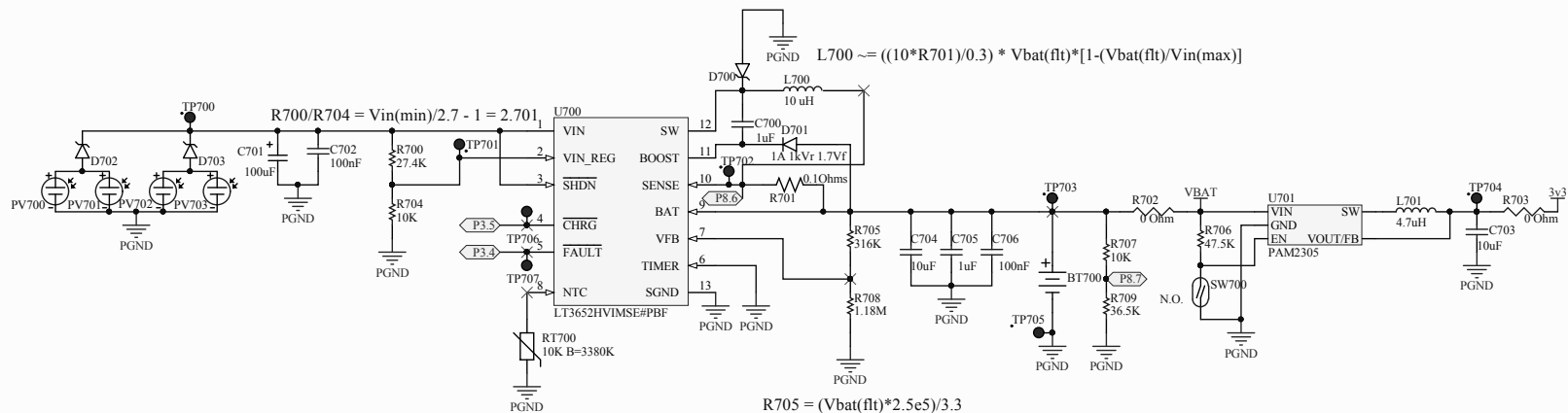
Project Title: <b>Budget Oceanic Autonomous Tracker</b>			
Sheet Title: <b>GPS and Magnetometer</b>			
Engineer: <b>Joseph Canfield and Mitchell Overdick</b>			
Draftsman: <b>Joseph Canfield and Mitchell Overdick</b>			
Date: <b>4/21/2017</b>	Size: <b>B</b>	Revision: <b>B</b>	Sheet: <b>5</b> of <b>7</b>





Project Title: <b>Budget Oceanic Autonomous Tracker</b>	
Sheet Title: <b>Motor Drivers</b>	
Engineer: <b>Joseph Canfield and Mitchell Overdick</b>	
Draftsman: <b>Joseph Canfield and Mitchell Overdick</b>	
Date: <b>4/21/2017</b>	Size: <b>B</b>
Revision: <b>B</b>	Sheet: <b>6</b> of <b>7</b>





Project Title: <b>Budget Oceanic Autonomous Tracker</b>	
Sheet Title: <b>Power Supply and Charging</b>	
Engineer: <b>Joseph Canfield and Mitchell Overdick</b>	
Draftsman: <b>Joseph Canfield and Mitchell Overdick</b>	
Date: <b>4/21/2017</b>	Revision: <b>B</b>
Size: <b>B</b>	Sheet: <b>7</b> of <b>7</b>

